

P4A-320C

P4A-320SS



P4A-320ORB

4" Two Handle Centerset Bar Faucet



Product Spec Sheet

FEATURES & BENEFITS

- This Product Contains Less Than 0.25% Weighted Average Lead Content On Wetted Surfaces
- Metal Lever Handle
- Ceramic Cartridge
- Max Flow Rate 1.8GPM(6.8L/Min) At 60PSI (ASME A112.18.1/A112.18.1)

P4A-320C
Chrome Finish

P4A-320SS
Stainless Steel Finish

P4A-320ORB
Oil Rubbed Bronze Finish

Approvals:

Meets or Exceeds The Following:

- * ANSI/ASME A112.18.1/A112.18.1
- * NSF/ANSI 61 - Sec. 9
- * NSF/ANSI 372
- * IAPMO/cUPC
- * NSF/ANSI/CAN 61: $Q \leq 1$



TEL: 855-806-0688

FAX: 845-350-4043

Visit Our Web Site : www.plumb4orce.com

P4A-320C

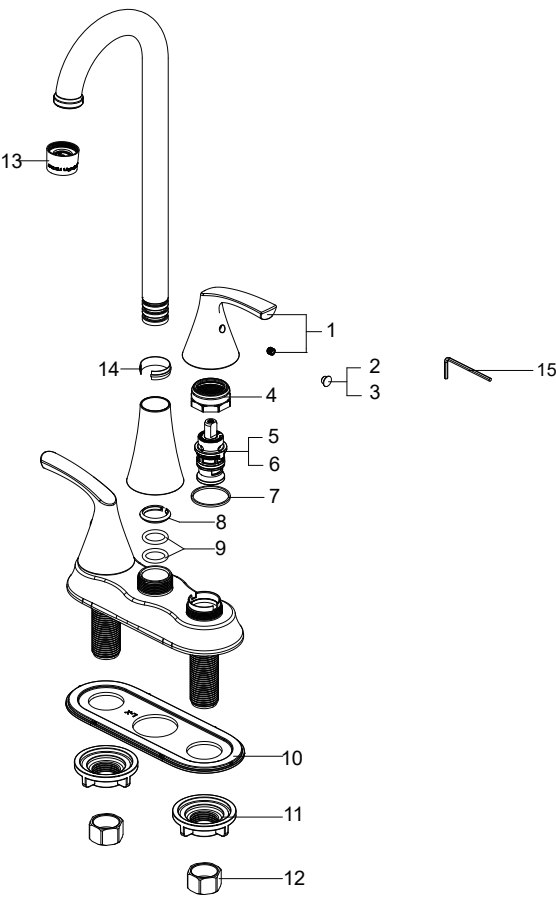
P4A-320SS



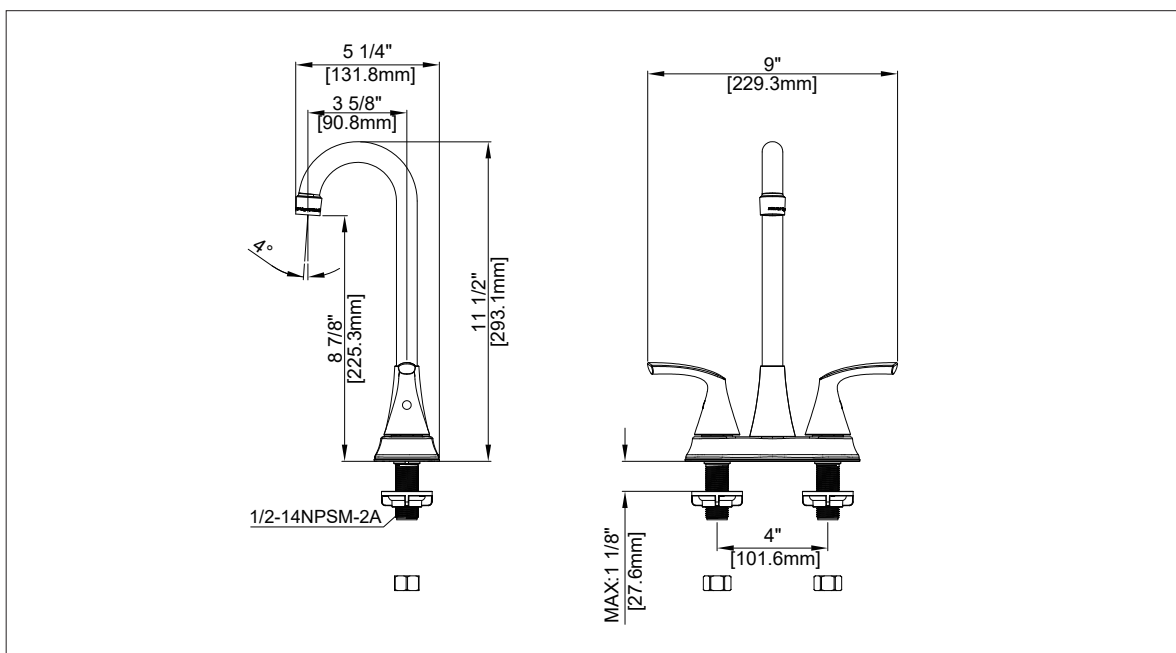
P4A-320ORB

4" Two Handle Centerset Bar Faucet

No.	Name	Part No.
1	Handle / <i>Llave</i>	RP13540*
2	Index H / <i>Índice H</i>	RP10004
3	Index C / <i>Índice C</i>	RP10005
4	Bonnet / <i>Capuchón</i>	RP70435
5	Cartridge H / <i>Cartucho H</i>	RP20067
6	Cartridge C / <i>Cartucho C</i>	RP20068
7	Washer / <i>Arandela</i>	RP64123
8	Clip / <i>Sujetador</i>	RP70106
9	O-ring / <i>Aro tórico</i>	RP60008
10	Gasket / <i>Junta</i>	RP80634
11	Mounting Nut / <i>Tuer/Tuerca de montaje</i>	RP56001
12	Coupling Nut / <i>Tuerca de acoplamiento</i>	RP56002
13	Aerator / <i>Aireado</i>	RP30267*
14	Washer / <i>Arandela</i>	RP70077
15	Hex Allen Wrench / <i>Hex Llave Allen</i>	RP70221



* Specify Finish
* Especifique el Acabado



Product Spec Sheet

TEL: 855-806-0688 FAX: 845-350-4043

Visit Our Web Site : www.plumb4orce.com